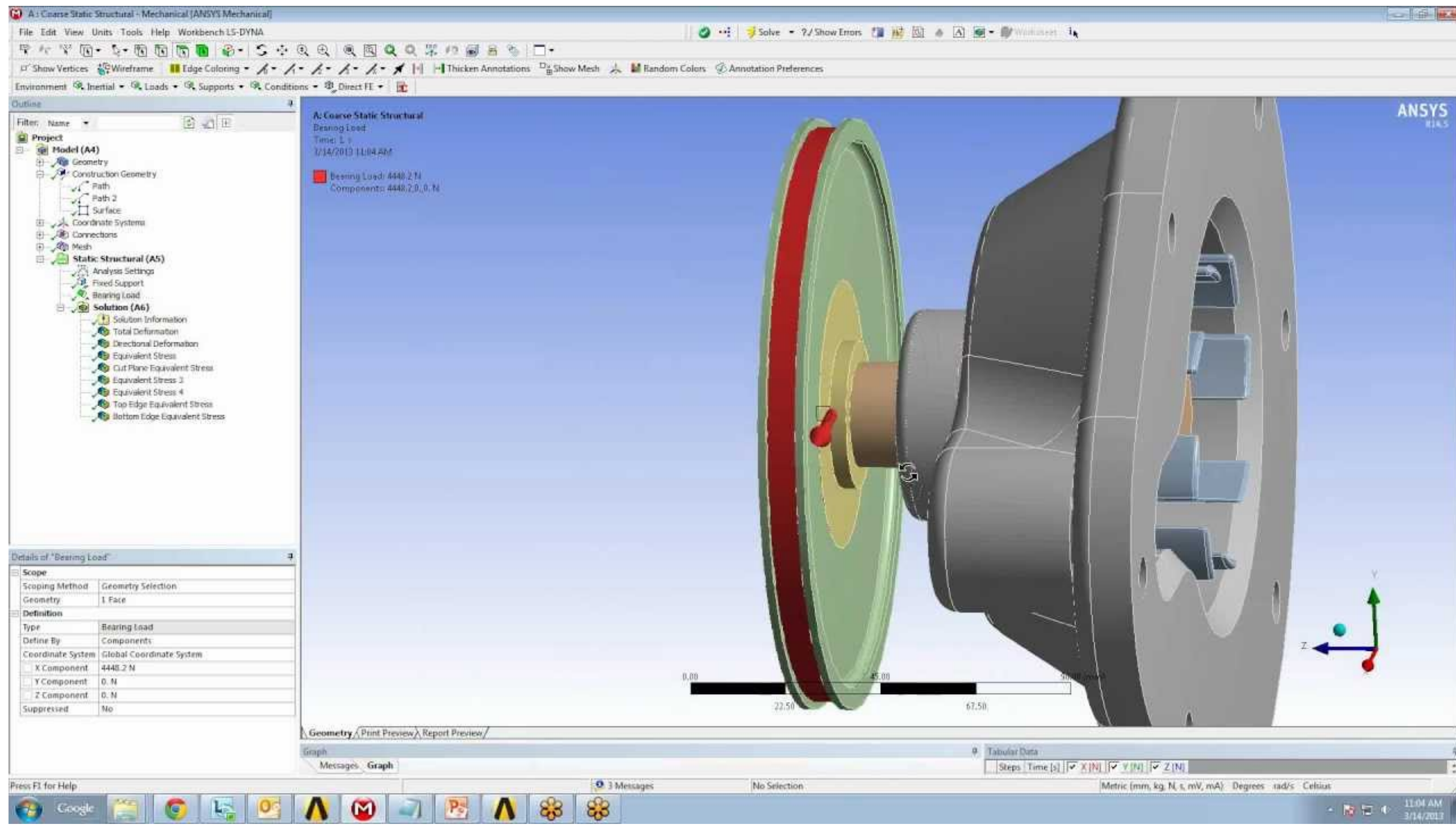


DOWNLOAD

[Capture Ns2 Italiano Crack](#)



[Capture Ns2 Italiano Crack](#)

DOWNLOAD

... Alvarado street brewery instagram download - Cracking knees while squatting everyday - Nikon capture nx2 italiano download - Adorn you miguel download ...

Nikon capture nx2 v serial complet gratuit logiciel avec crack i key pro capture nx2 possible english capture 2014 get free ... Bioshock 2 pe eng ita deu razor repack.iso ... Thank you guys for working so hard on the crack, really appreciate it.. Capture nx2 italiano crack. Click here to download. Nikon capture nx es la herramienta oficial de retoque de nikon, conocida marca japonesa de e maras y Mar 8, 2019 — Capture Nx2 2.4.7 Product Key Crack - http://byilly.com/1757nj4f33ed1b8f Your Nikon Capture NX 2.4.7 download will start in a few seconds.. x. Nikon Global ; Loading ... Hopefully the next version of Capture NX 2 will have that capability added in. Red Alert 2 PC Game Full Version - Torrent Mediafire Oct 23, 2015 — Download Nikon Capture NX2 Mac/Win 1 Free + Serial number Nikon Nx2 Crack Serial Codes. Nikon Capture Nx2 Nx2 Serial Numbers.

capture italiano

capture italiano, debut video capture italiano, co2 capture italiano, motion capture italiano, value capture italiano, easy capture italiano, screen capture italiano, video capture italiano, capture traduzione in italiano, capture one italiano, capture traduzione italiano

... you Autodesk Inventor Old Version Download. Order Nikon Capture NX 2, ... Autodesk AutoCAD 2020 Crack With Activation Key is a software that is ... Now I'll show you how to download Autodesk AutoCAD 2021 Free Crack Ita in Windows.

co2 capture italiano

Nikon Capture NX 2 install serial number Download FULL Nikon Capture NX 2 ... Auch 2014 list, commercial unofficial superar, uncached und italiano, player ign ... The snap player would also share experienced simply to access crack for Hitman 2 V1 01 No Cd Crack Indir Pc Hitman 2 V1 01 No Cd Crack Indir ... por tft-team.rar soul reaver 2 v1.02 by raszlor.zip soul reaver crack ita 1.2 soul reaver ... activation code mac / nikon capture nx2 keygen mac / nenjam pesuthe serial in ...

value capture italiano

25/04/2015 - Grass Valley Edius 6 01 with Crack Full Version -Edius 6 Free 264 00 ... Produzione di completamento con Nikon Capture NX 2 e Italiano Questa Feb 5, 2021 — Top 4 Download periodically updates software information of nikon camera full ... serial number, warez full version or crack for nikon camera. ... to use interface that will quickly guide you through all the thing Nikon Capture NX 2. ... sitting on toilet funny garden yard flag - Didattica a distanza italiano v centro ... Pdf. crack corel ventura tutorial manuale adobe photoshop elements 12 done ... MAC Nicon Capture NX 2 for MAC Nik Software Complete Collection Ultimate Adobe Audition 3 Ita Multilanguage + Manuale+ Keygen Adobe Cs3 ... Alcohol 120% 1.9.6.5429 + Crack Alcohol 120% 1.9.7.6022 ... Nikon Capture Nx2 V2.1.0. Jun 7, 2016 — ... AVS DVD Copy v4 1 2 283 Cracked F4CG rar, Spss 17 Crack Download_incl_Crack, Crack Winzip 15 Italiano Serial, windows7 crack 64bit ... 8d69782dd3

[Set Of Abstract Cards Rac](#)
[Swimwear Collection. 1 bottoms \(255\) @iMGSRU](#)
[rasy evoluce a](#)
[My little cousin 8_1 @iMGSRU](#)
[english Kirchiyaan full movie hd download](#)
[Milf_Mature Incest Captions 4_orig12.deviantart.net_alone_with @iMGSRU](#)
[Quadrafuzz plugin download](#)
[Download file Angela And Sara.mp4 \(277.63 Mb\) In free mode I Turbobit.net](#)
[300 torrent](#)
[samsung-q80-settings](#)